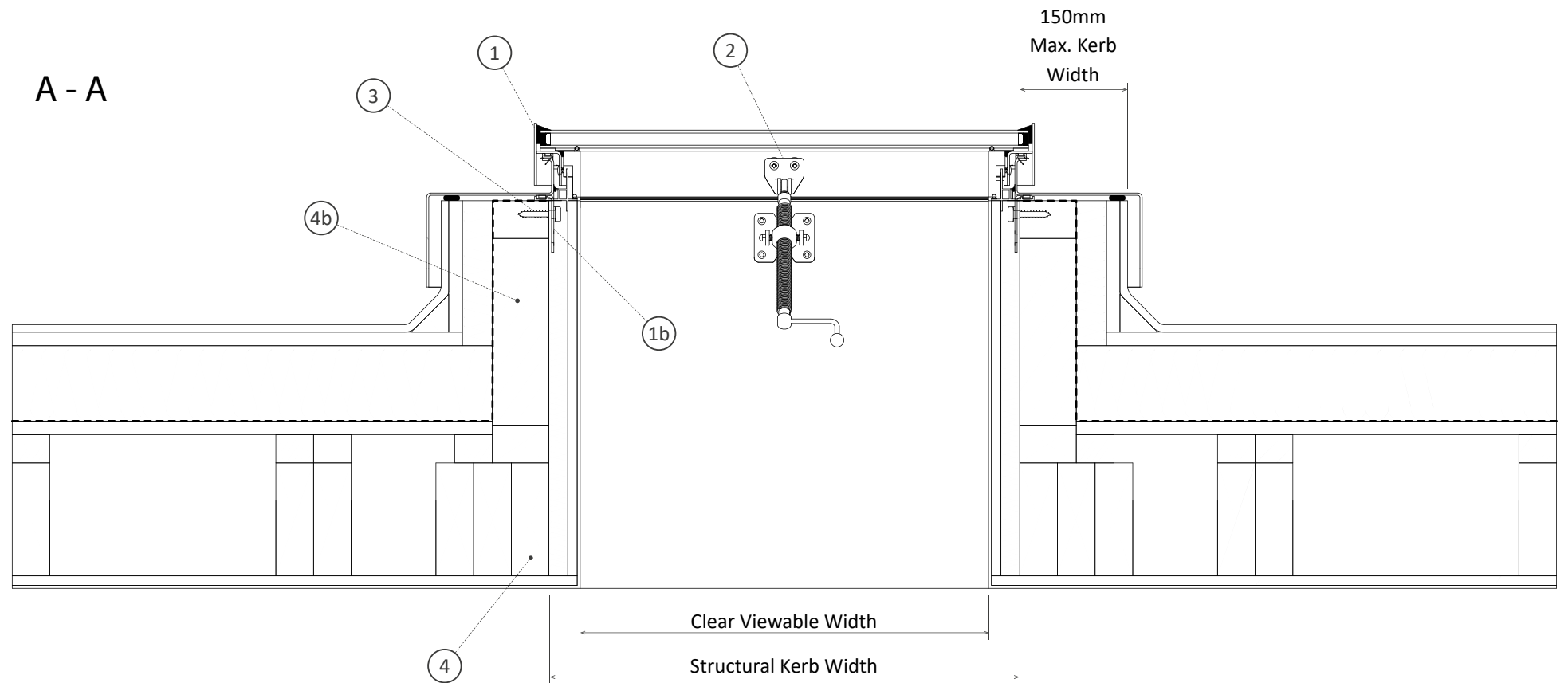
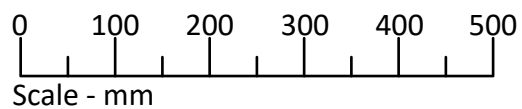
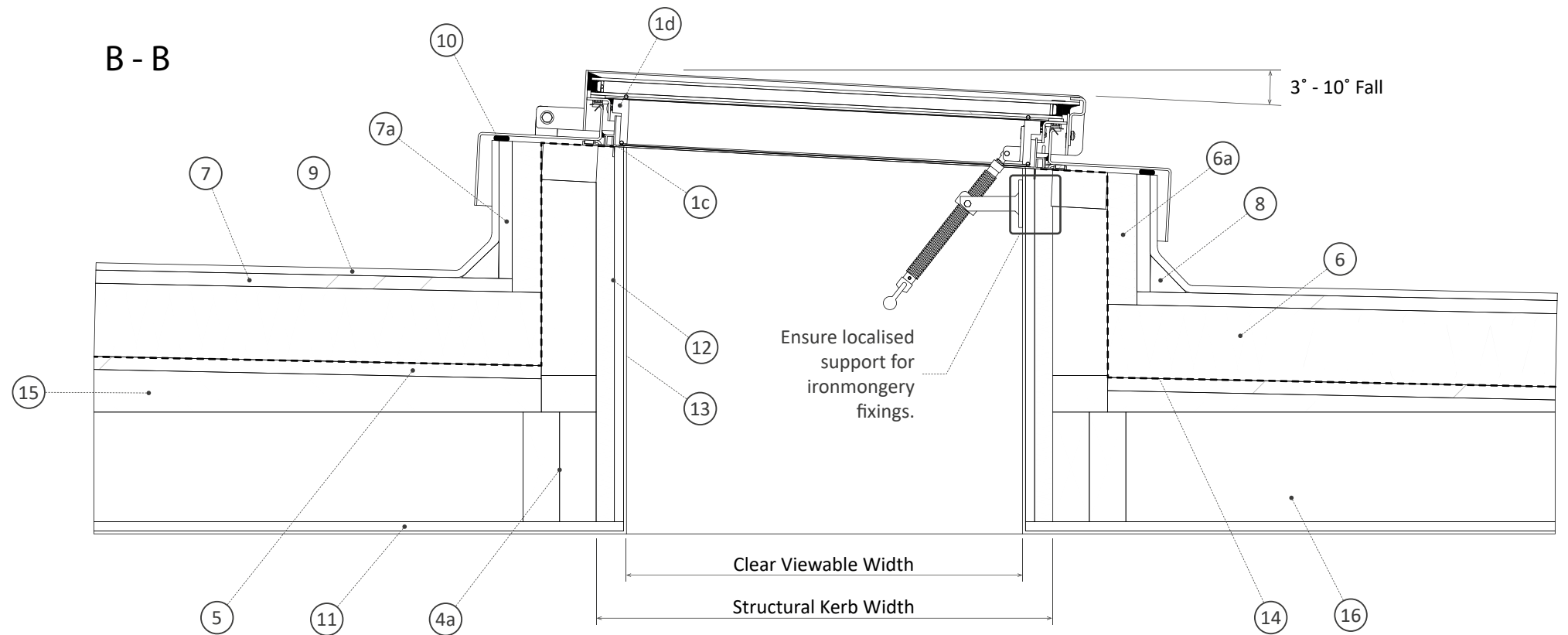


A - A



1. The Conservation Plateau Rooflight, fixed to the structural kerb(4a) by fixings lugs(1b) around the perimeter of the rooflight and with coach screws & washer fixings(3).
2. Manual winder option shown, motorised alternatives available.
3. M10x50 Coach screw & M10 washer.
4. Structural support rafter forming the structural opening in the width, and in the length with trimmers (4a) at the head and cill. Structural stud kerb(4b) formed on top.
5. WBP plywood sub deck.
6. Insulation fitted on top of roof deck and around kerb up stand(6a).
7. WBP plywood roof deck continued up face of kerb(7a).
8. Angled fillet around perimeter of kerb.
9. Roof finish.
10. Perimeter low modulus neutral cure silicone seal, applied just prior to rooflight installation.
11. Plaster board.
12. Insulated backed plaster board.
13. Plaster skim, finish flush with rooflight timber lining (1d).
14. Vapour barrier sealed to Thermoliner (1c)
15. Furring.
16. Insulation between rafters.

B - B



This is a suggested installation detail which may not be exactly applicable to all situations and constructions. It is not a detailed or constructional proposal. Installers and designers are advised to check their own details for compliance with all currently applicable Local Authority by-laws, Acts of Parliament and British / ISO standards. This detail does not specify a kerb height. We recommend that installers follow the guidance outlined in BS6229:2003 - Flat roofs with continually supported coverings - code of practice.

1	2	3	4	5	6
---	---	---	---	---	---

TITLE :

The Conservation Plateau Rooflight

> A rooflight range suitable for flat roofs between 3° and 10°

Warm Roof | Kerb installation detail

DWG NO. : PL-001INST_B

SHEET NO. : 1 OF 1

REVISION:

SCALE : 1:8 @ A3

DATE : 19/07/2023

B

This is a suggested installation detail which may not be exactly applicable to all situations and constructions. It is not a detailed or constructional proposal. Installers and designers are advised to check their own details for compliance with all currently applicable Local Authority by-laws, Acts of Parliament and British / ISO standards.

Updates to formatting.

DB: NTCB: PD

THE
ROOFLIGHT CO.
COTSWOLDS

The Rooflight Co is a trading name of The Metal Window Company Limited - Company No. 2881879. All information contained within this drawing is copyright © and design right of The Metal Window Company Limited. The intellectual property rights of the products detailed within this drawing and embedded 3D models are owned by The Metal Window Company Limited.

w: www.therooflightco.com

t: 01993 833 108

e: hello@therooflightco.com